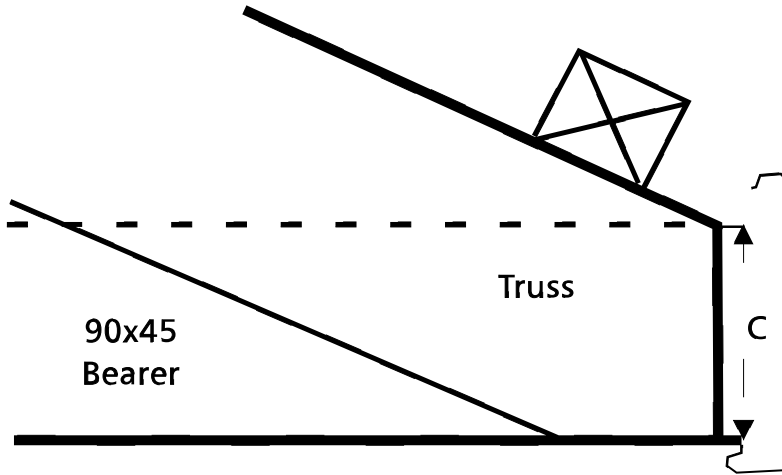


135mm Fascia

Metal Tile/Longrun Small Panel on Barges Only

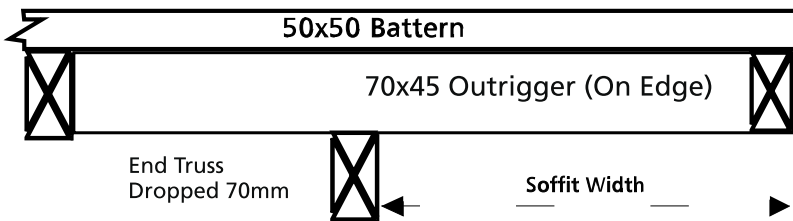


Soffit Drops		
Pitch°	Gable Dim C	Hip Only Dim C
15	90	90
20	79	90
25	81	90
30	84	90
35	90	90
40	100	100
45	105	100

GABLE END

70x45
Fly Rafter

70x45 Fly Rafter Above 15° Pitch

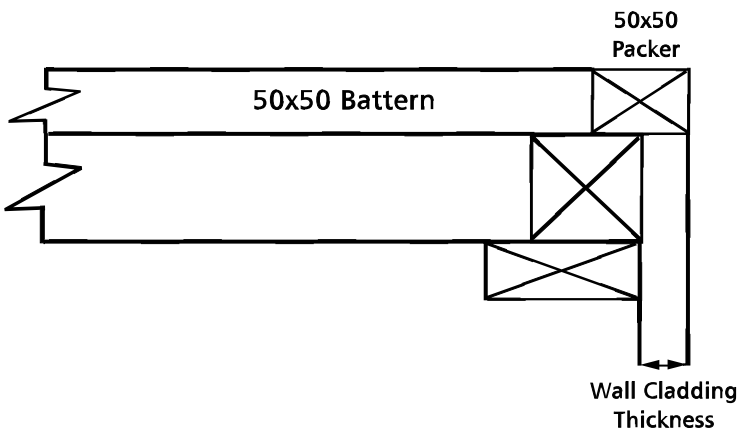


90x45 Fly Rafter Below 15° Pitch

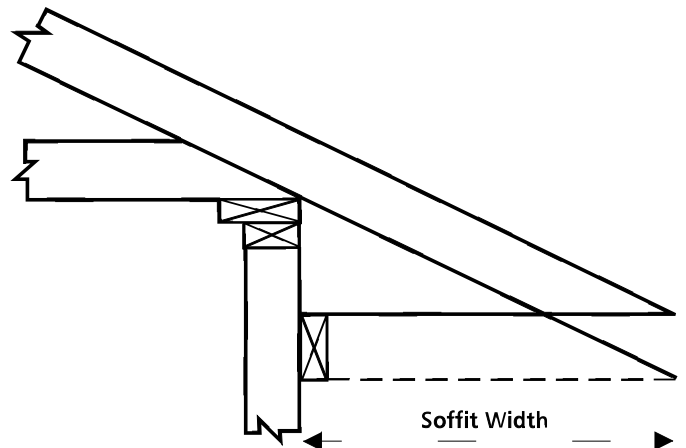
Soffit Bearers 90x45 fix to right-hand side looking at building.

90x45 Bearers used unless stated

No Soffit on Gable End



SOFFIT WIDTH/CONCRETE/METAL TILE/LONGRUN



5MM Clearance on Flat Soffits