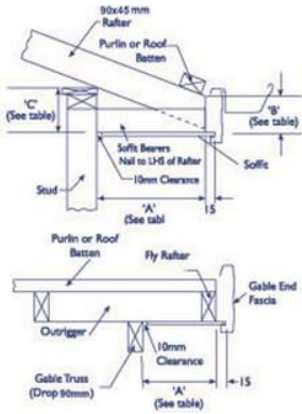


150mm Custom Fascia – Metal Tile / Long Run

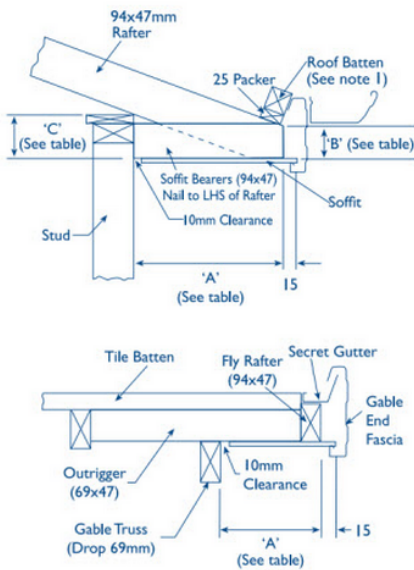


Hip & Gable Roof - Eaves Detail						
Soffit Width mm	300	450	600	750	900	
Dimension 'A' mm	295	445	595	745	895	
Note:						
<ul style="list-style-type: none"> A 10 mm soffit clearance has been allowed for. Soffit bearers fixed to LEFT hand side of rafter (viewed from outside). Based on minimum Purlin/Roof batten thickness of 47 mm 						

Gable End Detail						
Soffit Width mm	300	450	600			
Dimension 'A' mm	295	445	595			

Roof Pitch (Degrees)	Drop Heights - Dimension 'C' (mm)					Dim 'B' (mm) Toe Cut Gable Roof Only
	Soffit Width (mm)					
	300	450	600	750	900	
10	60	90	120	150	180	105
12.5	72	107	142	177	212	105
15	83	123	163	204	244	105
17.5	98	145	192	240	287	105
20	113	167	222	277	331	105
22.5	129	191	253	315	377	105
25	145	215	284	354	424	105
30	170	255	340	425	510	105
35	206	309	412	515	618	105
40	247	370	494	617	741	105
45	280	420	560	700	840	105

CONCRETE TILE ROOFS



Hip & Gable Roof - Eaves Detail						
Soffit Width mm	300	450	600			
Dimension 'A' mm	295	445	595			
Note:						
<ul style="list-style-type: none"> A 10 mm soffit clearance has been allowed for. Soffit bearers fixed to LEFT hand side of rafter (viewed from outside). Based on minimum Purlin/Roof batten thickness of 47 mm 						

Gable End Detail						
Soffit Width mm	300	450	600			
Dimension 'A' mm	295	445	595			

Roof Pitch (Degrees)	Drop Heights - Dimension 'C' (mm)					Dim 'B' (mm) Toe Cut Gable Roof Only
	Soffit Width (mm)					
	300	450	600	750	900	
17.50	72	119	166	213	261	85
20	84	141	195	250	305	88
22.5	101	163	226	288	350	91
25	117	187	257	327	397	95
30	150	237	323	410	497	100
35	187	292	397	502	607	112
40	227	353	479	605	731	124
45	275	425	575	725	875	135

SHINGLE ROOFS

When installing fascia rafter brackets for a shingle roof over 18mm thick plywood on top of 90 deep rafters, use 145mm as the toe cut (dimension B in the above diagram). Using this dimension allows for a 10mm to 12mm gap between the fascia and ply underside.